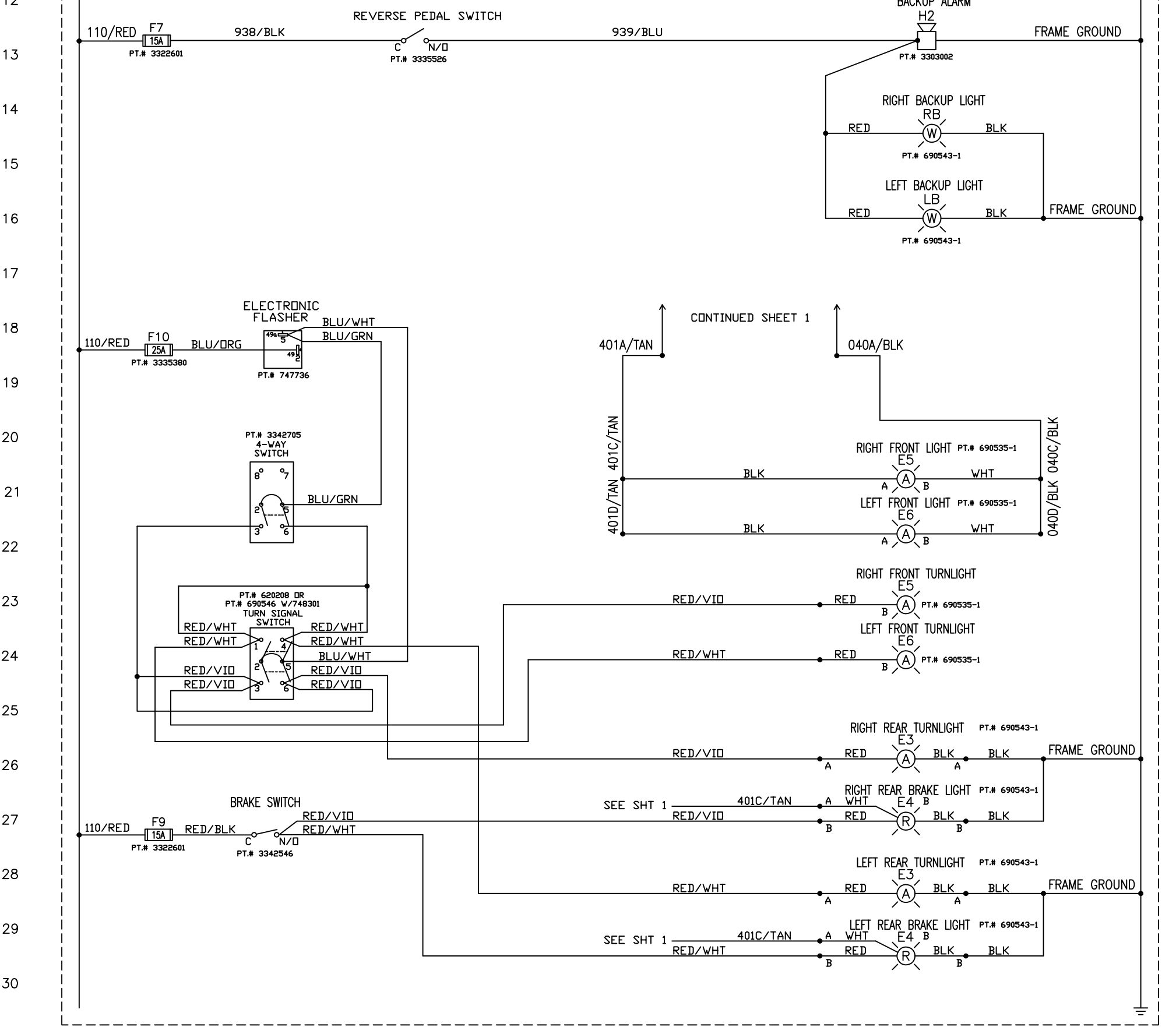


10X LED LIGHTING

WIRING FOR CE TURN, BRAKE, 4-WAY FLASHERS, BACKUP LIGHTS & ALARM



REV	ECN	DATE	DESCRIPTION	BY	CONFIDENTIAL THIS DRAWING AND ALL INFORMATION CONTAINED HEREIN ARE THE EXCLUSIVE PROPERTY OF MINUTEMAN INTERNATIONAL, INC. THIS DRAWING IS NOT TO BE COPIED OR OTHERWISE REPRODUCED WITHOUT EXPRESSED WRITTEN PERMISSION OF MINUTEMAN INTERNATIONAL, INC. IN ADDITION THIS DRAWING MUST BE RETURNED UPON REQUEST. FURTHER, ALL INFORMATION CONTAINED HEREIN MUST BE MAINTAINED CONFIDENTIAL.	TITLE SCHEMATIC, ELECTRICAL 10X DIESEL, DOMESTIC
					<div style="display: flex; justify-content: space-between;"> <div> Minuteman PowerBoss • 14N845 U.S. ROUTE 20 PINGREE GROVE, IL 60140 </div> <div> ELECTRICAL DESIGN ENGINEER KEN.HARTLEY </div> <div> CAD BY KHH </div> <div> DATE 12/01/18 </div> </div>	<div style="display: flex; justify-content: space-between;"> <div> PART NUMBER 745058 </div> <div> REVISION A </div> <div> PAGE NUMBER 4 OF 5 </div> </div>